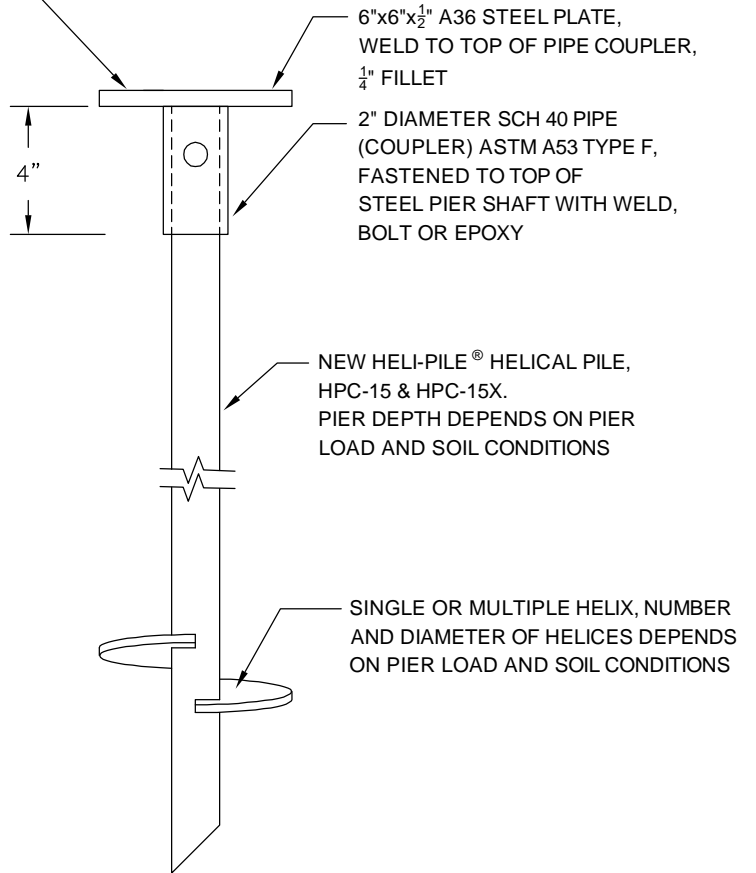


**PC-150R
FOR HPC-15 & HPC-15X**

THIS DRAWING AND THE INFORMATION CONTAINED HEREON ARE THE PROPERTY OF IMR, Inc. THIS DRAWING IS INTENDED FOR THE SOLE USE OF IMR, Inc., AND ITS AUTHORIZED CLIENTS ONLY.

NEW CONSTRUCTION FLAT
PLATE BRACKET FOR
COMPRESSION APPLICATIONS
FOR HELI-PILE® HELICAL PILE
HPC-15 & HPC-15X



THE ULTIMATE MECHANICAL COMPRESSION
CAPACITY OF THIS BRACKET IS 110,000 LBS
WHEN BOLTED, WELDED, OR EPOXY GLUED
TO THE STEEL PIER SHAFT.

WHEN BOLTED WITH AN SAE J429 Gr 5
 $\frac{3}{4}$ " DIAMETER BOLT, EQUAL OR BETTER, THE
ULTIMATE MECHANICAL TENSION CAPACITY
IS 28,000 LBS

**NEW CONSTRUCTION FLAT PLATE COMPRESSION BRACKET - PIPE COUPLER
FOR HELI-PILE® HPC-15 & HPC-15X HELICAL PILES**

NO SCALE

HELI-PILE®



IMR, Inc. - DENVER
5135 Ward Road, Wheat Ridge, Colorado, 80033 USA
303-423-0591 Fax: 303-423-9155
www.helipile.com

**SPECIFICATION
SHEET**

**NEW CONSTRUCTION
COMPRESSION BRACKET**

DRAWN BY: RJV ENGINEER: JSP

PC-150R.DWG SHEET 1 OF 1
DATE: 9/2/09 REVISION: 0