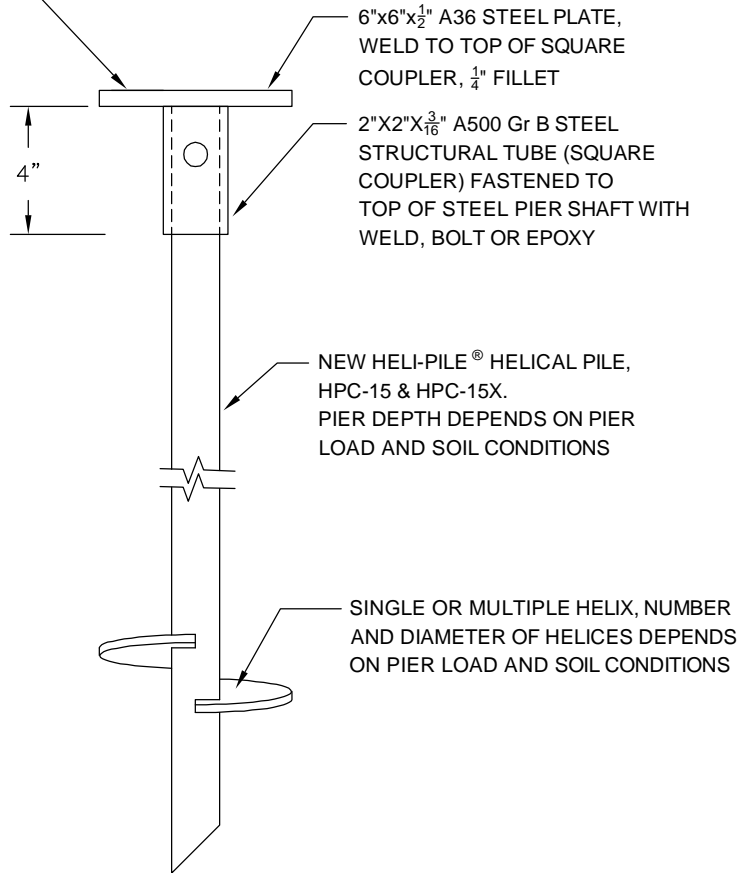


**PC-150
FOR HPC-15 & HPC-15X**

THIS DRAWING AND THE INFORMATION CONTAINED HEREON ARE THE PROPERTY OF IMR, Inc. THIS DRAWING IS INTENDED FOR THE SOLE USE OF IMR, Inc., AND ITS AUTHORIZED CLIENTS ONLY.

NEW CONSTRUCTION FLAT
PLATE BRACKET FOR
COMPRESSION APPLICATIONS
FOR HELI-PILE® HELICAL PILE
HPC-15 & HPC-15X




THE ULTIMATE MECHANICAL COMPRESSION CAPACITY OF THIS BRACKET IS 110,000 LBS WHEN BOLTED, WELDED, OR EPOXY GLUED TO THE STEEL PIER SHAFT.

WHEN BOLTED WITH AN SAE J429 Gr 5 $\frac{3}{4}$ " DIAMETER BOLT, EQUAL OR BETTER, THE ULTIMATE MECHANICAL TENSION CAPACITY IS 46,000 LBS

**NEW CONSTRUCTION FLAT PLATE COMPRESSION BRACKET - SQUARE COUPLER
FOR HELI-PILE® HPC-15 & HPC-15X HELICAL PILES**

NO SCALE

 HELI-PILE® IMR, Inc. - DENVER 5135 Ward Road, Wheat Ridge, Colorado, 80033 USA 303-423-0591 Fax: 303-423-9155 www.helipile.com	SPECIFICATION SHEET		NEW CONSTRUCTION COMPRESSION BRACKET	
	DRAWN BY: RJV	ENGINEER: JSP	DATE: 9/2/09	SHEET 1 OF 1 REVISION: 0